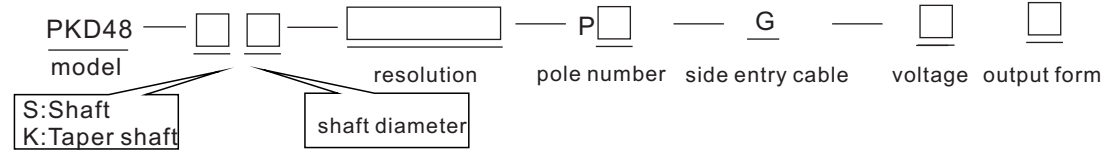


PKD series



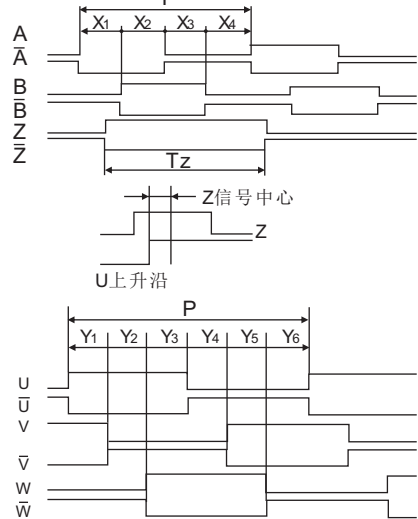
- Shape size $\Phi 48 \times 35$, hollow shaft $\Phi 12$, 1: 10 taper.
- Used for servo moter, with U.V.W signals, elastic mounting plate for connection.
- High reliability, strong interference resistance.

Explanation of model



For example

PKD48-K9-2500-4P-G05L is 9mm taper shaft, 2500P/R, four apirs poles number, side entry cable, supply voltage 5V, line driver output .



Waveforms ratio: $X_1+X_2=0.5T \pm 0.1T$
 $X_2+X_3=0.5T \pm 0.1T$
 A, B phase shift: $X_n \geq 0.125T$ (n=1, 2, 3, 4)
 Signal position accuracy
 A, B absolute angle error $\leq 0.2T$
 Duty error: $\leq 0.05T$
 Zero signal width: $T_z = 1T \pm 0.5T$
 $T = 360/N$ (N is pulse number output per rotation)
 The position relationship between A. B and C phase is not ordered.
 relationship between Z and U phase: $C = \pm 1^\circ$ (angle)

U. V. W cycle and phase:
 R1-R2 $180^\circ \pm 1.5^\circ$ (two pole)
 R1-R3 $120^\circ \pm 1.5^\circ$ (three pole)
 R1-R4 $90^\circ \pm 1.5^\circ$ (four pole)
 R1-R10 $36^\circ \pm 1.5^\circ$ (ten pole)
 R1-R16 $22.5^\circ \pm 1.5^\circ$ (sixteen pole)
 Y1-Y6 $30^\circ \pm 1.5^\circ$ (two ploer)
 $20^\circ \pm 1.5^\circ$ (three pole)
 $15^\circ \pm 1.5^\circ$ (four pole)
 $6^\circ \pm 1.5^\circ$ (ten pole)
 $3.75^\circ \pm 1.5^\circ$ (sixteen pole)

The position relationship between A. B and U. V. W phase is not ordered.
 CW waveform viewed from shaft head
 (Elastic mounting plate)

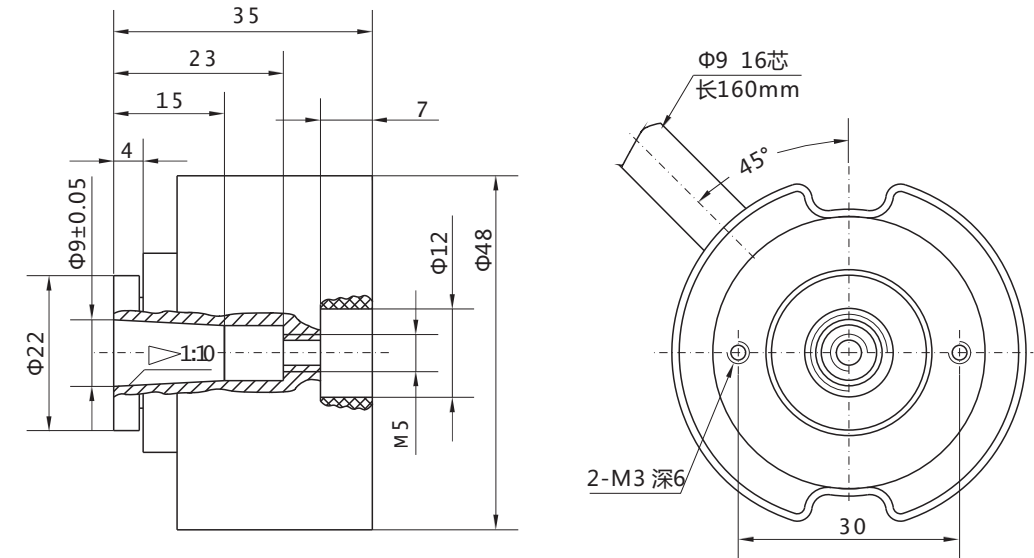
Technical data

Resolution	100~5000P/R	Rotating inertia	$1 \times 10^{-5} \text{kg} \cdot \text{m}^2$
Supply voltage	DC+5V $\pm 0.25\%$	Max rotating speed	6000r/min
V_H Output voltage	$\geq 2.5V$	Vibration resistance	49m/s ² (10~200Hz) (XYZeach direction2hours)
V_L Output voltage	$\leq 0.5V$	Shock resistance	980m/s ² (XYZ direction 3 times, each time 6ms)
Current consumption	$\leq 250\text{mA}$	Protection	IP50
Output phase	A. B. Z. U. V. W	Operating temperature	-10°C ~ +70°C
Frequency response	200kHz Max	Storage temperature	-20°C ~ +80°C
Rise/fall time	$\leq 0.1 \mu\text{S}$	Operating humidity	30~85%RH
Starting torque	$5 \times 10^{-3} \text{N} \cdot \text{m} (+25^\circ\text{C})$	Weight (no cable)	0.3kg
Shaft loading	Radial 10N Axial 10N	Accessories	Elastic mounting plate

Connection table

Cable color	Red	Green	Grey	Yellow	Brown	Cyan	Orange	Shield
Signal	5V	A	B	Z	U	V	W	FG
Cable color	Black	White/Green	White/Grey	White/Yellow	White/Brown	White/Cyan	White/Orange	
Signal	0V	\bar{A}	\bar{B}	\bar{Z}	\bar{U}	\bar{V}	\bar{W}	

Dimension(mm)



Accessories

