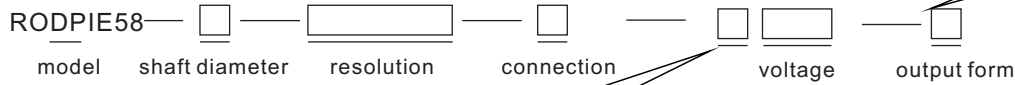


## RODPIE58 series



E: Voltage output  
 C: Open collector output  
 F: Complementary output(Push pull)  
 L: Line driver Output  
 T: Line driver (high TTL)

■ Explanation of model



E : Axial cable  
 G:Radial cable

■ For example

ROD-PIE5806-2048Z-G10-30T-1M is shaft diameter  $\Phi 8$ , 2048P/R, side entry plug, supply voltage 10-30V, line driver output with 1 meter cable .

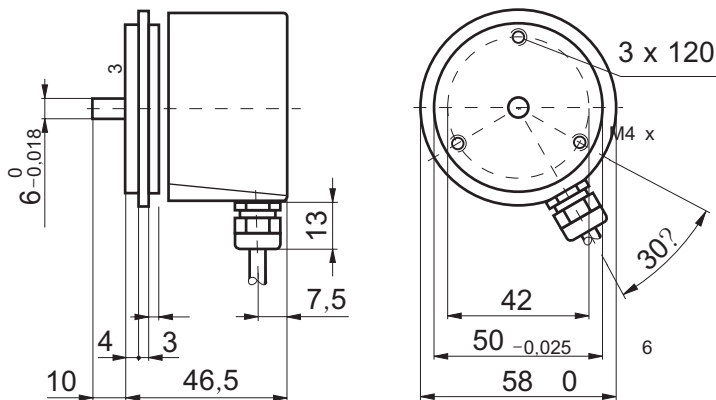
■ Technical data

Resolution	100-5000P/R	Rotating inertia	$3.5 \times 10^{-6} \text{kg} \cdot \text{m}^2$
Supply voltage	DC5V or DC 10V~30V	Max rotating speed	6000r/min
$V_H$ Output voltage	$\geq V_{CC} \times 70\%$	Vibration resistance	$50 \text{m/s}^2$ (10~200Hz) (XYZ each direction 2hours)
$V_L$ Output voltage	$\leq 0.5 \text{V}$	Shock resistance	$980 \text{m/s}^2$ (XYZ each direction 2times) last 6ms
Current consumption	$\leq 150 \text{mA}$	Protection	IP65
Output phase	A. B. Z	Operating temperature	-10°C ~ +70°C
Frequency response	100kHz Max	Storage temperature	-20°C ~ +80°C
Rise/fall time	$\leq 1 \mu\text{s}$ or line driver $\leq 0.1 \mu\text{s}$	Operating humidity	30~85%RH
Starting torque	$3 \times 10^{-3} \text{N} \cdot \text{m}$ (+25°C)	Weight (no cable)	0.5kg
Shaft loading	Radial 40N Axial 20N	Accessories	

■ Connection table

cable color		Red	Black	White	Green	Yellow	Blue	Orange	Brown	Shield
Output form	C/E/F	VCC	0V	A	B	Z	—	—	—	FG
	P/L/D/H/M	VCC	0V	A	B	Z	$\bar{A}$	$\bar{B}$	$\bar{Z}$	FG
7PIN CX16K7P plug		1	7	3	4	5	—	—	—	6
9PIN CX16K9P plug		4	3	1	2	5	8	9	6	7

■ Dimension(mm)



Connector M23 male  
 for connection references -A and -B  
 05A, 24K, 25W

Connector	Signals
Pin 1	-A
Pin 2	+Vs
Pin 3	Z
Pin 4	-Z
Pin 5	B
Pin 6	-B
Pin 7	n.c.
Pin 8	A
Pin 9	Housing
Pin 10	0 V
Pin 11	0 V
Pin 12	+Vs

