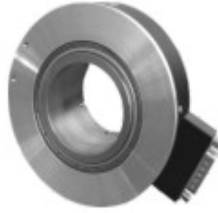
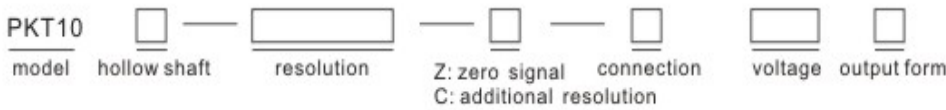


PKT100 series



- Outer diameter $\Phi 100$, hollow shaft, elastic mounting plate for connection. locking ring for fastening.
- Basic hollow shaft $\Phi 30, \Phi 35, \Phi 38, \Phi 40, \Phi 42, \Phi 45, \Phi 50, \Phi 55$.
- Z signal or C signal can be chosen on request.
- Used for elevator traction machine, steady performance, strong interference resistance.

Explanation of model



For example

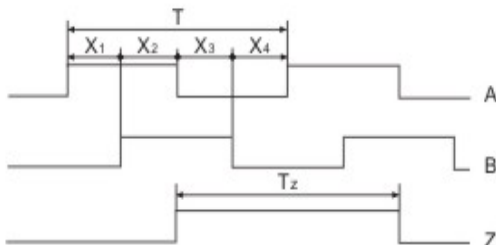
PKT1030-1024-J30F is outer diameter $\Phi 100$, hollow shaft $\Phi 30$, 1024P/R, side entry rectangle plug, supply voltage 30V, complementary output .

Technical data

Resolution	360, 512, 600, 1024P/R	Rotating inertia	$4 \times 10^{-6} \text{kg} \cdot \text{m}^2$
Supply voltage	DC5V or DC 8V~30V	Max rotating speed	2500r/min
V_H Output voltage	$\geq V_{CC} \times 70\%$	Vibration resistance	70m/s ² (10~200Hz) (XYZ each direction 2hours)
V_L Output voltage	$\leq 0.5V$	Shock resistance	490m/s ² (XYZ direction 3 times. each time 11ms)
Current consumption	$\leq 150\text{mA}$	Protection	IP65
Output phase	A. B. Z/C	Operating temperature	-10°C ~ +70°C
Frequency response	100kHz Max	Storage temperature	-20°C ~ +80°C
Rise/fall time	$\leq 1 \mu\text{s}$ or line driver $\leq 0.1 \mu\text{s}$	Operating humidity	30 ~ 85%RH
Starting torque	$5 \times 10^{-2} \text{N} \cdot \text{m} (+25^\circ\text{C})$	Weight (no cable)	0.7kg
Shaft loading	Radial 40N Axial 20N	Accessories	Elastic mounting plate

Output waveform and signal position accuracy

clockwise(cw) waveform viewed from the shaft head.



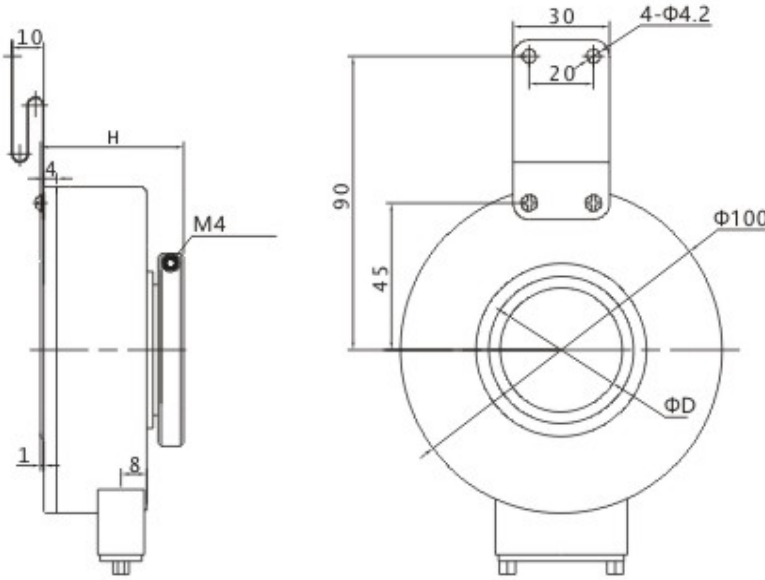
- $X_1 + X_2 = 0.5T \pm 0.1T$
 Waveforms ratio: $X_2 + X_3 = 0.5T \pm 0.1T$
- A, B phase shift: $X_n \geq 0.125T$ (n=1, 2, 3, 4)
- Signal position accuracy
A, B absolute angle error: $\leq 0.2T$
- Duty error: $\leq 0.05T$
- Zero signal width: $T_z = 1T \pm 0.5T$
- $T = 360/N$ (N is pulse number output per rotation)
- The position relationship between A, B and C phase is not ordered.

■ Connection table

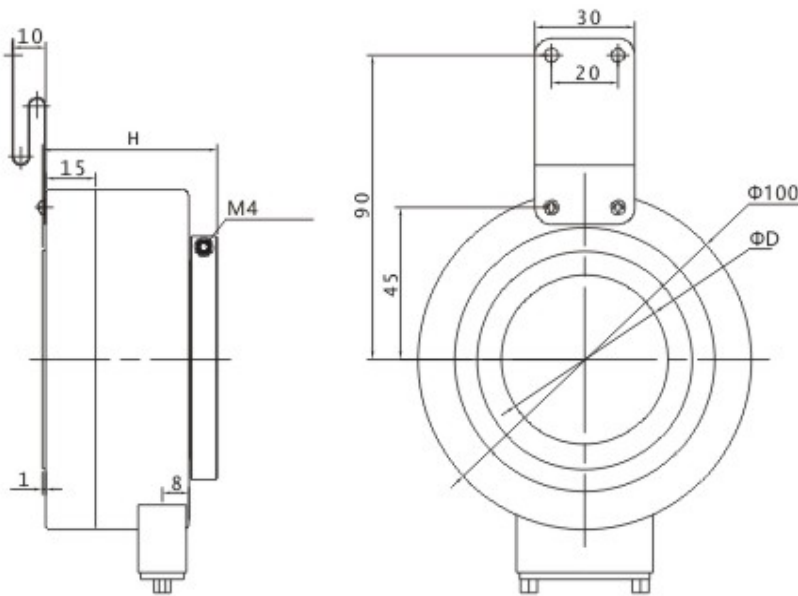
cable color		Red	Green	White	Black	Black	Black	Shield
Output form	C/E/F	VCC	B	A	0V	0V	G	0V
7PIN	CX16K7P	1	2	3	4	5	6	7
PC PLUG	DB15 code	7	25	4	12	2	13	8

cable color		Red	Black	White	Green	Yellow	Blue	Pink	Brown	Shield
Output form	L/H	VCC	0V	A	B	Z	\bar{A}	\bar{B}	\bar{Z}	FG
9PIN	CX16K9P	1	2	3	5	7	4	6	8	9
PCPLUG	DB15 code	6	5	4	2	9	3	1	10	8

■ Dimension(mm)



HOLLOW SHAFT DIAMETER(D)	Lenh of shaft (H)
Φ30F7(^{+0.041} / _{+0.020})	44.5/48
Φ35F7(^{+0.050} / _{+0.025})	42.5
Φ38F7(^{+0.050} / _{+0.025})	42.5
Φ40F7(^{+0.050} / _{+0.025})	42.5
Φ42F7(^{+0.025} / _{+0.025})	44.5
Φ45F7(^{+0.025} / _{+0.025})	44.5



HOLLOW SHAFT DIAMETER(D)	Lenh of shaft (H)
Φ50F7(^{+0.05} / _{+0.025})	52
Φ55F7(^{+0.06} / _{+0.03})	52